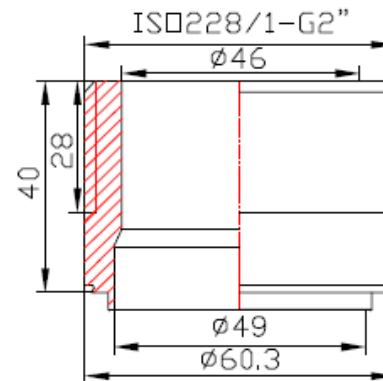


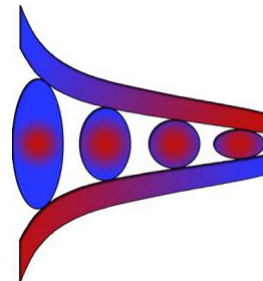
4-M8X 23

D1-D2-D3-D4  
W520

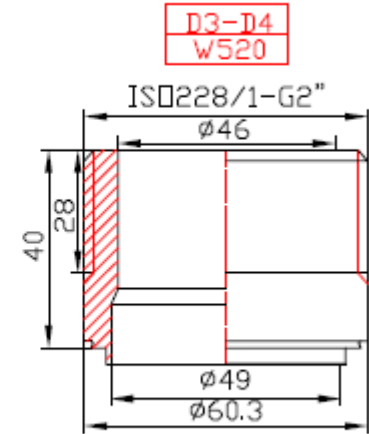
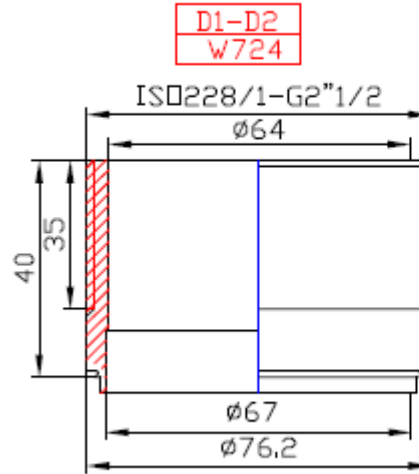
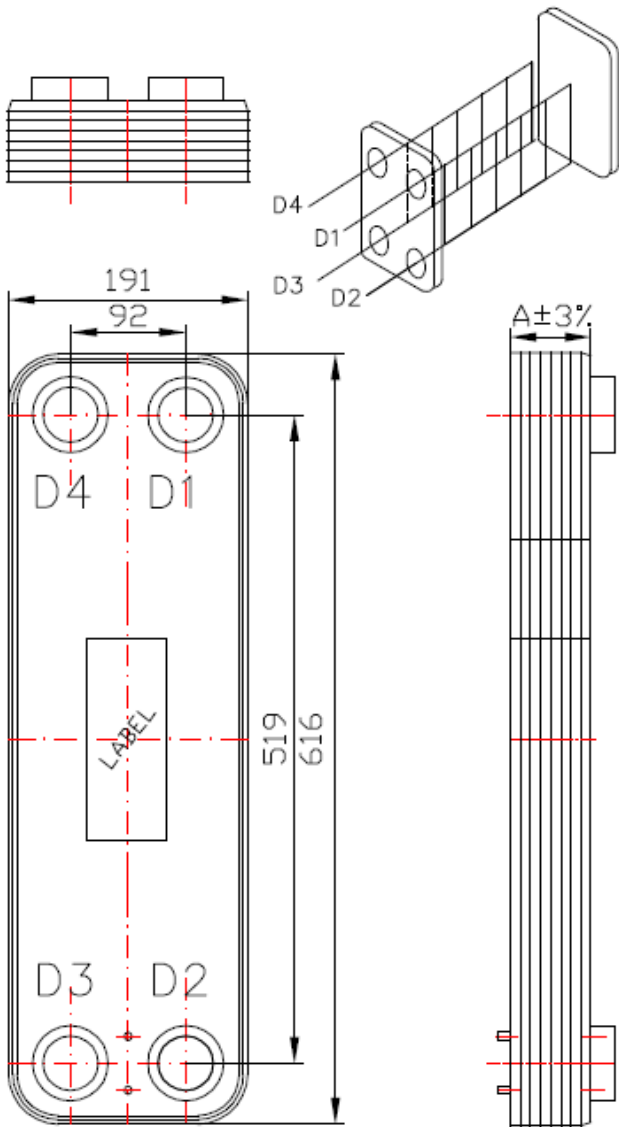


#	Modell	A [mm]	Fläche [m <sup>2</sup> ]
1	EWT-BL-95B x 20D	59	1,17
2	EWT-BL-95B x 40D	119	3,61
3	EWT-BL-95B x 60D	174	5,51
4	EWT-BL-95B x 90D	255	8,36
5	EWT-BL-95B x 100D	280	9,31
6	EWT-BL-95B x 150D	419	14,06

Max. Druck	3,0 MPa
Prüfdruck	4,5 MPa
Temp.	-160 °C - 225°C
Plattenmaterial	AISI 316L
Lot	99,9 % Cu

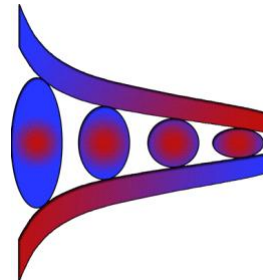


**EWT-BL-95B**



#	Modell	A
1	EWT-BL-95C x 60D	174
2	EWT-BL-95C x 90D	255
3	EWT-BL-95C x 150D	419

Max. Druck	3,0 MPa
Prüfdruck	4,5 MPa
Temp.	-160 °C - 225°C
Plattenmaterial	AISI 316L
Lot	99,9 % Cu



**EWT-BL-95C**